

Universal

Spare Parts








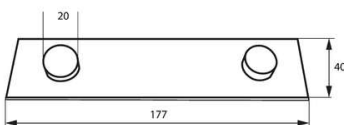
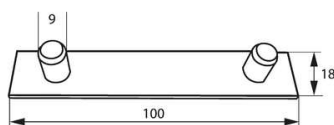
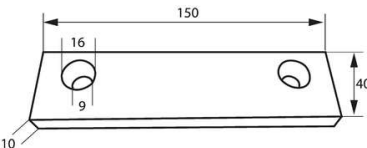

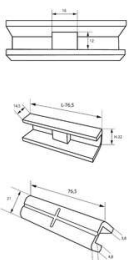


Table of contents:

- SLIDE ATTACHMENT
- HYDRAULIC SEALS
- WASHERS
- ATTACHMENT
- SNOW CHAINS
- LIFT CHAINS
- OTHERS
- CASTORS & WHEELS
- CONNECTORS



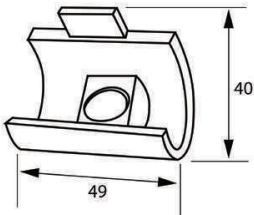
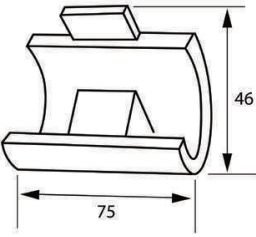
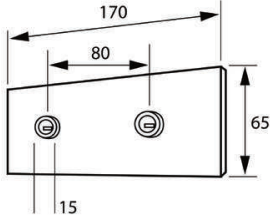
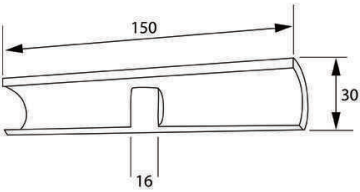
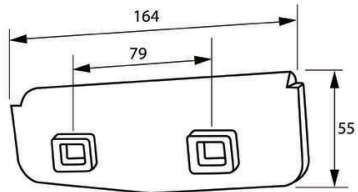
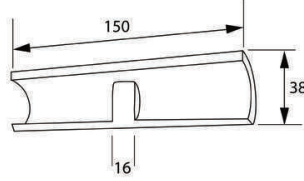
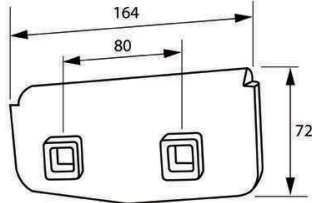
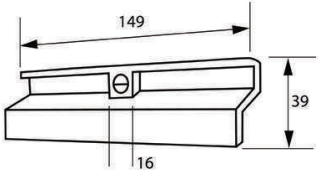
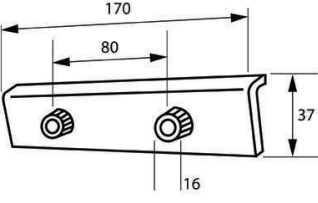
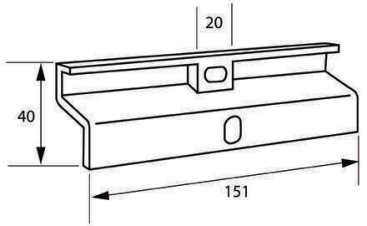
SLIDE ATTACHMENT Universal

<p>SHIM</p>  <p>Φ-30 mm φ-20 mm H-4 mm</p> <p>SAW/119481</p>	<p>DOUBLE HOSE CLAMPS</p>  <p>Φ- 14 mm</p> <p>SAW/118060</p>
<p>ROLLER</p>  <p>Φ-110X20 mm H-23 mm</p> <p>SAW/119054</p>	<p>DOUBLE ROLLER</p>  <p>Φ-120X20 mm H-46 mm</p> <p>SAW/119114</p>
<p>SLIDE</p>  <p>Plastik</p> <p>SAW/121417</p>	<p>SLIDE</p>  <p>Toyota</p> <p>SAW/113175</p>
<p>SLIDE</p>  <p>Mosiądz</p> <p>SAW/113176</p>	<p>SLIDE</p>  <p>Plastik</p> <p>SAW/113178</p>
<p>SLIDE</p>  <p>Plastik</p> <p>SAW/121416</p>	<p>SLIDE</p>  <p>Plastik</p> <p>SAW/113198</p>

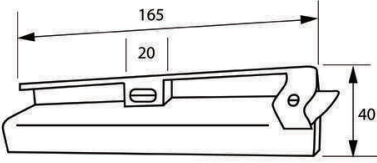
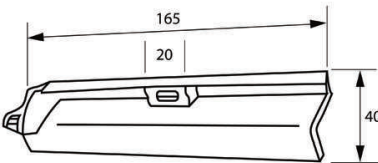
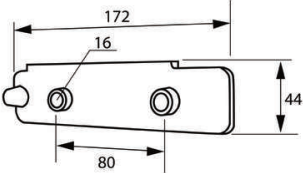
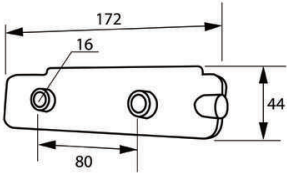
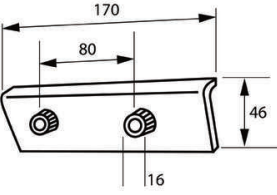
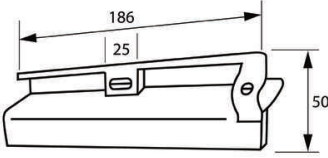
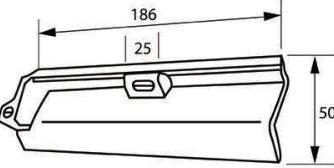
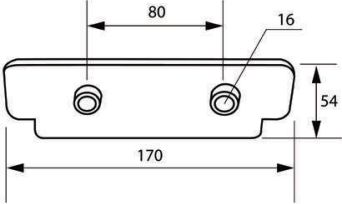
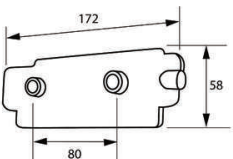
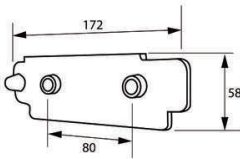
SLIDE ATTACHMENT Universal

<p>SLIDE</p> <p>Plastik</p> <p>SAW/113201</p>	<p>SLIDE</p> <p>Plastik</p> <p>SAW/121415</p>
<p>SLIDE</p> <p>SAW/120561</p>	<p>SLIDE</p> <p>SAW/120801</p>
<p>SLIDE</p> <p>Plastik</p> <p>SAW/113239</p>	<p>SLIDE</p> <p>Mosiądz</p> <p>SAW/113240</p>
<p>SLEEVE</p> <p>SAW/511354</p>	<p>SLEEVE</p> <p>SAW/511355</p>
<p>SLIDE</p> <p>Brak zdjęcia</p> <p>Plastik</p> <p>Bolzoni</p> <p>SAW/118003</p>	<p>SLIDE</p> <p>Plastik</p> <p>Bolzoni</p> <p>SAW/118003</p>

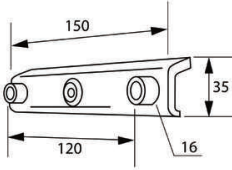
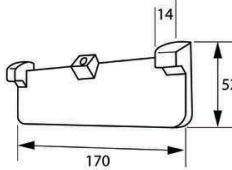
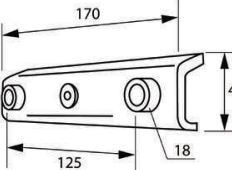
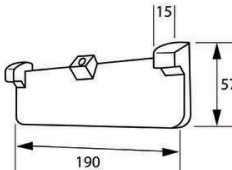
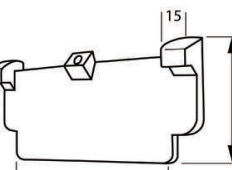
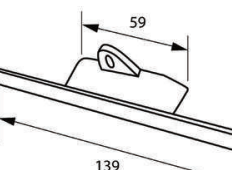
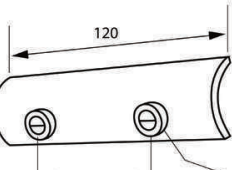
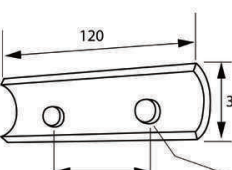
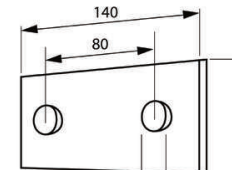
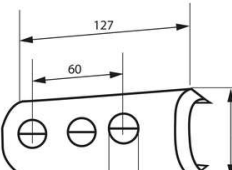
SLIDE ATTACHMENT Universal

<p>SLIDE</p>  <p>Brąz</p> <p>Bolzoni</p> <p>SAW/118004</p>	<p>SLIDE</p>  <p>Plastik</p> <p>Bolzoni</p> <p>SAW/118005</p>
<p>SLIDE</p>  <p>Plastik</p> <p>Bolzoni</p> <p>SAW/118006</p>	<p>SLIDE</p>  <p>Plastik</p> <p>Bolzoni</p> <p>SAW/118007</p>
<p>SLIDE</p>  <p>Plastik</p> <p>Bolzoni</p> <p>SAW/118008</p>	<p>SLIDE</p>  <p>Plastik</p> <p>Bolzoni</p> <p>SAW/118009</p>
<p>SLIDE</p>  <p>Plastik</p> <p>Bolzoni</p> <p>SAW/118010</p>	<p>SLIDE</p>  <p>Plastik SS Kaup</p> <p>Toyota Linde Jungheinrich</p> <p>SAW/118011</p>
<p>SLIDE</p>  <p>Plastik</p> <p>Bolzoni Cesab Linde</p> <p>SAW/118012</p>	<p>SLIDE</p>  <p>Plastik</p> <p>Bolzoni Toyota</p> <p>SAW/118013</p>

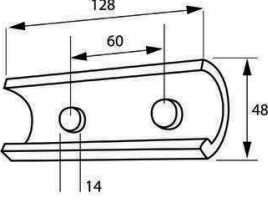
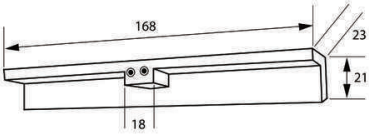
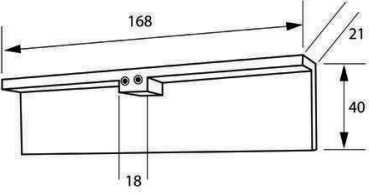
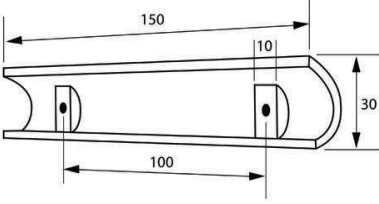
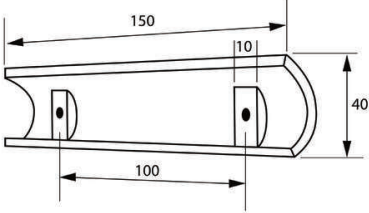
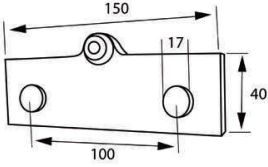
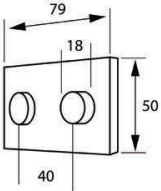
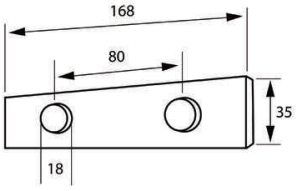
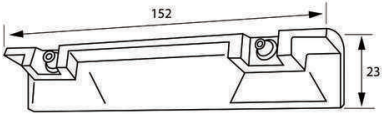
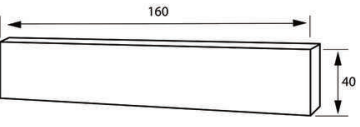
SLIDE ATTACHMENT Universal

<p>SLIDE</p>  <p>Plastik SS Kaup</p> <p>Toyota Linde Jungheinrich</p> <p>SAW/118014</p>	<p>SLIDE</p>  <p>Plastik SS Kaup</p> <p>Toyota Linde Jungheinrich</p> <p>SAW/118015</p>
<p>SLIDE</p>  <p>Plastik</p> <p>Bolzoni Om Linde Jungheinrich</p> <p>SAW/118016</p>	<p>SLIDE</p>  <p>Plastik</p> <p>Bolzoni Om Linde Jungheinrich</p> <p>SAW/118017</p>
<p>SLIDE</p>  <p>Plastik</p> <p>Bolzoni Cesab Linde</p> <p>SAW/118018</p>	<p>SLIDE</p>  <p>Plastik</p> <p>Bolzoni Linde Yale</p> <p>SAW/118019</p>
<p>SLIDE</p>  <p>Plastik</p> <p>Bolzoni Cesab Linde, Yale Jungheinrich</p> <p>SAW/118020</p>	<p>SLIDE</p>  <p>Plastik</p> <p>SAW/118021</p>
<p>SLIDE</p>  <p>Plastik</p> <p>Bolzoni Linde Yale</p> <p>SAW/118022</p>	<p>SLIDE</p>  <p>Plastik</p> <p>Bolzoni Linde Yale</p> <p>SAW/118023</p>

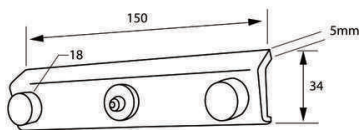
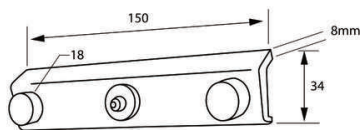
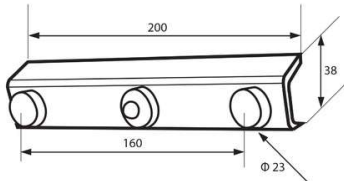
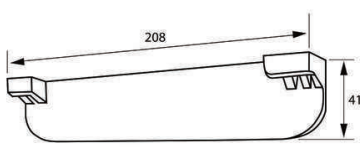
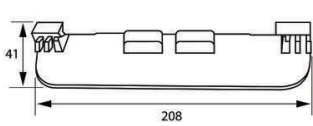
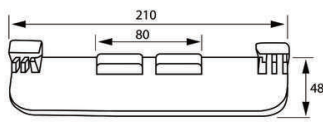
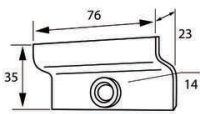
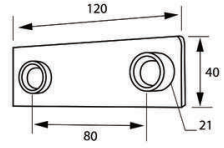
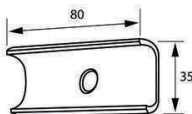
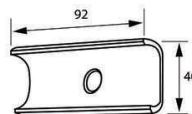
SLIDE ATTACHMENT Universal

<p>SLIDE</p> <p>Plastik</p> <p>Bolzoni</p>  <p>SAW/118024</p>	<p>SLIDE</p> <p>Plastik</p> <p>Bolzoni</p>  <p>SAW/118025</p>
<p>SLIDE</p> <p>Plastik</p> <p>Bolzoni</p>  <p>SAW/118026</p>	<p>SLIDE</p> <p>Plastik</p> <p>Bolzoni</p>  <p>SAW/118027</p>
<p>SLIDE</p> <p>Plastik</p> <p>Bolzoni</p>  <p>SAW/118028</p>	<p>SLIDE</p> <p>Plastik</p> <p>Bolzoni</p>  <p>SAW/118029</p>
<p>SLIDE</p> <p>Plastik</p> <p>Roncari/ Cascade Linde</p>  <p>SAW/118030</p>	<p>SLIDE</p> <p>Plastik</p> <p>Roncari/ Cascade Linde</p>  <p>SAW/118031</p>
<p>SLIDE</p> <p>Plastik</p> <p>Roncari/ Cascade Linde</p>  <p>SAW/118032</p>	<p>BUSHING</p> <p>Plastik</p> <p>Roncari/ Cascade Linde</p>  <p>SAW/118033</p>



SLIDE ATTACHMENT Universal

<p>SLIDE</p>  <p>Plastik</p> <p>Roncari/ Cascade Linde</p> <p>SAW/118034</p>	<p>SLIDE</p>  <p>Plastik</p> <p>Roncari Cascade Om</p> <p>SAW/118035</p>
<p>SLIDE</p>  <p>Plastik</p> <p>Roncari Cascade Om</p> <p>SAW/118036</p>	<p>SLIDE</p>  <p>Plastik</p> <p>Roncari/ Cascade DSL</p> <p>SAW/118037</p>
<p>SLIDE</p>  <p>Plastik</p> <p>Roncari/ Cascade DSL</p> <p>SAW/118038</p>	<p>SLIDE</p>  <p>Plastik</p> <p>Roncari/ Cascade DSL</p> <p>SAW/118039</p>
<p>SLIDE</p>  <p>Plastik</p> <p>Roncari/ Cascade Linde</p> <p>SAW/118040</p>	<p>SLIDE</p>  <p>Plastik</p> <p>Roncari/ Cascade Linde</p> <p>SAW/118041</p>
<p>SLIDE</p>  <p>Plastik</p> <p>Cascade</p> <p>SAW/118042</p>	<p>SLIDE</p>  <p>Plastik</p> <p>Cascade</p> <p>SAW/118043</p>

SLIDE ATTACHMENT Universal

<p>SLIDE</p> <p>Plastik</p> <p>Cascade</p>  <p>SAW/118044</p>	<p>SLIDE</p> <p>Plastik</p> <p>Cascade</p>  <p>SAW/118045</p>
<p>SLIDE</p> <p>Plastik</p> <p>Cascade Toyota</p>  <p>SAW/118046</p>	<p>SLIDE</p> <p>Plastik</p> <p>Cascade</p>  <p>SAW/118047</p>
<p>SLIDE</p> <p>Plastik</p> <p>Cascade</p>  <p>SAW/118048</p>	<p>SLIDE</p> <p>Plastik</p> <p>Cascade Toyota</p>  <p>SAW/118049</p>
<p>SLIDE</p> <p>Plastik</p> <p>Caroline Jungheinrich Carer</p>  <p>SAW/118050</p>	<p>SLIDE</p> <p>Plastik</p> <p>Caroline Jungheinrich Carer</p>  <p>SAW/118051</p>
<p>SLIDE</p> <p>Plastik</p> <p>Kaup Still Linde</p>  <p>SAW/118052</p>	<p>SLIDE</p> <p>Plastik</p> <p>Kaup Still Linde</p>  <p>SAW/118053</p>

SLIDE ATTACHMENT Universal

<p>SLIDE</p> <p>Plastik</p> <p>Kaup Still Linde</p>  <p>SAW/118054</p>	<p>SLIDE</p> <p>Plastik</p> <p>Kaup Still Linde</p>  <p>SAW/118055</p>
<p>SLIDE</p> <p>Plastik</p> <p>Bolzoni Cesab Linde Yale</p>  <p>SAW/118056</p>	<p>SLIDE</p> <p>FEM 3</p> <p>CASCADE TOYOTA</p>  <p>SAW/118924</p>
<p>SLIDE</p> <p>FEM 3</p> <p>CASCADE TOYOTA</p>  <p>SAW/119927</p>	<p>SLIDE</p> <p>FEM2</p> <p>PLASTIK CASCADE</p>  <p>SAW/119928</p>
<p>SLIDE</p> <p>DAEWOO, DOOSAN</p>  <p>SAW/120342</p>	<p>PIN</p> <p>Φ- 20 mm L-75 mm M-10X1,25</p>  <p>SAW/119630</p>
<p>PIN</p> <p>Φ-20 mm L-75 mm M-12X1,5</p>  <p>SAW/119631</p>	<p>PIN</p> <p>Φ-20 mm L-75 mm M-14X1,5</p>  <p>SAW/119632</p>

<p>BEARING KIT</p>  <p>Zestaw ślizgów przesuwu FEM 2 CASCADE 55F</p> <p>SAW/121349</p>	<p>BEARING KIT</p>  <p>Zestaw ślizgów przesuwu FEM 2 CASCADE 30D / 50D</p> <p>SAW/121350</p>
<p>BEARING KIT</p>  <p>Zestaw ślizgów przesuwu FEM 2 CASCADE 40E / 55E</p> <p>SAW/121351</p>	<p>BEARING KIT</p>  <p>Zestaw ślizgów przesuwu FEM 3 CASCADE 60D / 100D</p> <p>SAW/121352</p>
<p>BEARING KIT</p>  <p>Zestaw ślizgów przesuwu FEM 3 CASCADE 60E / 100E</p> <p>SAW/121353</p>	<p>BEARING KIT</p>  <p>Zestaw ślizgów przesuwu FEM 2 BOLZONI HN25-HN4</p> <p>SAW/121354</p>
<p>BEARING KIT</p>  <p>Zestaw ślizgów przesuwu FEM 3 BOLZONI HN35-HN5</p> <p>SAW/121355</p>	<p>BEARING KIT</p>  <p>Zestaw ślizgów przesuwu FEM 2 BOLZONI SL4</p> <p>SAW/121356</p>
<p>BEARING KIT</p>  <p>Zestaw ślizgów przesuwu FEM 3 BOLZONI SL5 / SL6</p> <p>SAW/121357</p>	<p>BEARING KIT</p>  <p>Zestaw ślizgów przesuwu FEM 2 ATIB</p> <p>SAW/121358</p>

SLIDE ATTACHMENT Universal

BEARING KIT



Zestaw ślizgów przesuwu
FEM 3 ATIB

SAW/121359

BEARING KIT



Zestaw ślizgów przesuwu
FEM 2 BOLZONI SU4

SAW/121360

BEARING KIT



Zestaw ślizgów przesuwu
FEM 2 BOLZONI SU5 /
SU6

SAW/121361

BEARING KIT



Zestaw ślizgów przesuwu
FEM 3 CASCADE 70C

SAW/121362











BEARING KIT










Zestaw ślizgów przesuwu
KAUP 1-2T 151 P4 // P4 N
// P4 ND // P4-C

SAW/121363

<p>BACK UP-RINGS PP1</p> <p>PTFE</p>	<p>BACK UP-RINGS PP3</p> <p>PTFE</p>
<p>WEAR RINGS WR1</p> <p>Żywica fenolowa</p>	<p>SEALS DKB1</p> <p>NBR+METAL</p>
<p>SEALS DKB2</p> <p>PU + Metal</p>	<p>SEALS GRB</p> <p>PTFE+BRONZE NBR</p>
<p>SEALS PWL</p> <p>PTFE</p>	<p>SEALS RGU</p> <p>NBR</p>
<p>SEALS SCK1</p> <p>NBR</p>	<p>SEALS U1</p> <p>NBR</p>

<p>SEALS U2</p>  <p>PU</p>	<p>ORING</p> <p>40X48X4/8,7</p>  <p>SAW/511200</p>
<p>ORING</p> <p>60X68X4/8,7</p>  <p>SAW/511223</p>	<p>ORING</p> <p>26X34X4/8,7</p>  <p>SAW/511238</p>
<p>ORING</p> <p>50X58X4/8,7</p>  <p>SAW/511239</p>	<p>ORING</p> <p>56X64X4/8,7</p>  <p>SAW/511240</p>
<p>ORING</p> <p>75X83X4/8,7</p>  <p>SAW/511241</p>	<p>ORING</p> <p>65x1,5</p>  <p>SAW/511199</p>
<p>ORING</p> <p>67x3,5</p>  <p>SAW/511235</p>	<p>ORING</p> <p>32,92x3,53</p>  <p>SAW/511236</p>

HYDRAULIC SEALS Universal

<p>ORING</p> <p>50x2</p>  <p>SAW/511237</p>	<p>ORING</p> <p>40x2</p>  <p>SAW/511290</p>
<p>ORING</p> <p>58x2</p>  <p>SAW/511291</p>	<p>SEAL</p> <p>Wymiary: 25x33x5,8</p>  <p>SAW/120632</p>
<p>SEAL</p> <p>40X50X9</p>  <p>SAW/511198</p>	<p>SEAL</p> <p>60X70X10</p>  <p>SAW/511225</p>
<p>SEAL</p> <p>40x49x6/9</p>  <p>SAW/511226</p>	

WASHERS Universal

WASHERS



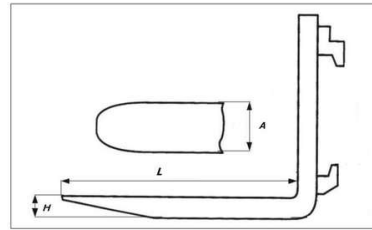
Podkładki

ROTATORS



Obrotnica 360

FORKS













SNOW CHAINS Universal

SNOW CHAINS







łańcuchy śnieżne







<p>CHAIN</p> <p>2x3 1 1/4" (31.75 mm)</p> <p>BL1023 TOYOTA, NISSAN</p>  <p>SAW/111116</p>	<p>CHAIN</p> <p>3x4 5/8" (15,875mm)</p> <p>BL534 TOYOTA, NISSAN</p>  <p>SAW/111117</p>
<p>CHAIN</p> <p>3x4 3/4" (19,05mm)</p> <p>BL634 TOYOTA, NISSAN</p>  <p>SAW/111119</p>	<p>CHAIN</p> <p>2x3 1" (25,4mm)</p> <p>BL823 TOYOTA, NISSAN</p>  <p>SAW/111121</p>
<p>CHAIN</p> <p>3x4 1" (25,4mm)</p> <p>BL834 TOYOTA, NISSAN</p>  <p>SAW/111123</p>	<p>CHAIN</p> <p>Układ płytek: 4x4 Podziałka łańcucha: 5/8" (15,875mm)</p> <p>BL544 TOYOTA, NISSAN</p>  <p>SAW/111125</p>
<p>CHAIN</p> <p>Układ płytek: 4x6 Podziałka łańcucha: 5/8" (15,875mm)</p> <p>BL546 TOYOTA, NISSAN</p>  <p>SAW/111126</p>	<p>CHAIN</p> <p>3x4 1 1/4" (31,75mm)</p> <p>BL1034 TOYOTA, NISSAN</p>  <p>SAW/111127</p>
<p>CHAIN</p> <p>Układ płytek: 4x4 Podziałka łańcucha: 3/4" (19,05mm)</p> <p>AL644 TOYOTA, NISSAN</p>  <p>SAW/111271</p>	<p>CHAIN</p> <p>Układ płytek: 6x6 Podziałka łańcucha 5/8" (15,875mm)</p> <p>BL566 TOYOTA, NISSAN</p>  <p>SAW/117335</p>




<p>CHAIN</p>  <p>Układ płytek: 2x2 Podziałka łańcucha: 3/4" (19,05mm)</p> <p>BL622 TOYOTA, NISSAN</p> <p>SAW/117336</p>	<p>CHAIN</p>  <p>Układ płytek: 2x3 Podziałka łańcucha: 3/4" (19,05mm)</p> <p>BL623 TOYOTA, NISSAN</p> <p>SAW/117337</p>
<p>CHAIN</p>  <p>Układ płytek: 4x4 Podziałka łańcucha: 3/4" (19,05mm)</p> <p>BL644 TOYOTA, NISSAN</p> <p>SAW/117338</p>	<p>CHAIN</p>  <p>Układ płytek: 4x6 Podziałka łańcucha: 3/4" (19,05mm)</p> <p>BL646 TOYOTA, NISSAN</p> <p>SAW/117339</p>
<p>CHAIN</p>  <p>Układ płytek: 6x6 Podziałka łańcucha: 3/4" (19,05mm)</p> <p>BL666 TOYOTA, NISSAN</p> <p>SAW/117340</p>	<p>CHAIN</p>  <p>Układ płytek: 3x3 Podziałka łańcucha: 3/4" (19,05mm)</p> <p>LINDE 9495080000</p> <p>SAW/214559</p>
<p>CHAIN</p>  <p>Układ płytek: 4x4 Podziałka łańcucha: 1" (25,4 mm)</p> <p>LINDE 9495116000</p> <p>SAW/214560</p>	<p>CHAIN</p>  <p>Układ płytek: 4x4 Podziałka łańcucha: 1" (25,4 mm)</p> <p>LINDE 9495110000</p> <p>SAW/214561</p>
<p>CHAIN</p>  <p>Układ płytek: 4x4 Podziałka łańcucha: 1" (25,4mm)</p> <p>LINDE 9495109000</p> <p>SAW/214562</p>	<p>CHAIN</p>  <p>Układ płytek: 4x4 Podziałka łańcucha: 1" (25,4mm)</p> <p>LINDE 9495105000</p> <p>SAW/214563</p>











<p>CHAIN</p>  <p>Układ płytek: 6x6 Podziałka łańcucha: 1" (25,4mm) LINDE 9495104000</p> <p>SAW/214564</p>	<p>CHAIN</p>  <p>Układ płytek: 6x6 Podziałka łańcucha: 1" (25,4mm) LINDE 9495106000</p> <p>SAW/214565</p>
<p>CHAIN</p>  <p>Układ płytek: 8x8 Podziałka łańcucha: 1" (25,4mm) LINDE 9495108000</p> <p>SAW/214566</p>	<p>CHAIN</p>  <p>SAW/511145</p>
<p>CHAIN</p>  <p>Układ płytek: 6x6 Podziałka łańcucha: 1" (25,4 mm) LL1666 LINDE, STILL</p> <p>SAW/113992</p>	<p>CHAIN</p>  <p>4X4 1" (25,4 mm) BL844 TOYOTA, NISSAN</p> <p>SAW/117391</p>
<p>CHAIN</p>  <p>4X4 1" (25,4 mm) LL1644 LINDE, STILL</p> <p>SAW/117403</p>	<p>CHAIN</p>  <p>4X6 1" (25,4 mm) BL846 TOYOTA, NISSAN</p> <p>SAW/119055</p>
<p>CHAIN</p>  <p>6x6 BL866</p> <p>SAW/120060</p>	<p>CHAIN</p>  <p>Układ płytek: 8x8 Podziałka łańcucha 1 1/4" (31,75 mm) LINDE 9495119000</p> <p>SAW/214624</p>











<p>CHAIN</p>  <p>Układ płytek:6x6 Podziałka łańcucha 1" (25,4 mm) LINDE 9495111000</p> <p>SAW/214629</p>	<p>CHAIN PIN KIT</p>  <p>6x6 1" (25,4 mm) LL1666 LINDE, STILL</p> <p>SAW/111129</p>
<p>CHAIN PIN KIT</p>  <p>3x4 5/8" (15,875mm) BL534 TOYOTA, NISSAN</p> <p>SAW/111130</p>	<p>CHAIN PIN KIT</p>  <p>3x4 3/4" (19,05mm) BL634 TOYOTA, NISSAN</p> <p>SAW/111131</p>
<p>CHAIN PIN KIT</p>  <p>2x3 1" (24,5mm) BL823 TOYOTA, NISSAN</p> <p>SAW/111132</p>	<p>CHAIN PIN KIT</p>  <p>3x4 1" (25,4mm) BL834 TOYOTA, NISSAN</p> <p>SAW/111133</p>
<p>CHAIN PIN KIT</p>  <p>3x4 1 1/4" (31,75mm) BL1034 TOYOTA, NISSAN</p> <p>SAW/111134</p>	<p>CHAIN PIN KIT</p>  <p>4 x 6 5/8" (15,875mm) BL546 TOYOTA, NISSAN</p> <p>SAW/111135</p>
<p>CHAIN PIN KIT</p>  <p>6x6 3/4" (19,05mm) BL666 TOYOTA, NISSAN</p> <p>SAW/117341</p>	<p>CHAIN PIN KIT</p>  <p>4x6 3/4" (19,05mm) BL646 TOYOTA, NISSAN</p> <p>SAW/117342</p>

<p>CHAIN PIN KIT</p>  <p>4x4 3/4" (19,05mm)</p> <p>BL644 TOYOTA, NISSAN</p> <p>SAW/117343</p>	<p>CHAIN PIN KIT</p>  <p>2x3 3/4" (19,05mm)</p> <p>BL623 TOYOTA, NISSAN</p> <p>SAW/117344</p>
<p>CHAIN PIN KIT</p>  <p>2x2 3/4" (19,05mm)</p> <p>BL622 TOYOTA, NISSAN</p> <p>SAW/117345</p>	<p>CHAIN PIN KIT</p>  <p>6x6 5/8" (15,875mm)</p> <p>BL566 TOYOTA, NISSAN</p> <p>SAW/117346</p>
<p>CHAIN PIN KIT</p>  <p>4x4 5/8" (15,875mm)</p> <p>BL544 TOYOTA, NISSAN</p> <p>SAW/117347</p>	<p>CHAIN PIN KIT</p>  <p>4x4 3/4" (19,05mm)</p> <p>AL644 TOYOTA, NISSAN</p> <p>SAW/117348</p>
<p>CHAIN PIN KIT</p>  <p>2x3 1 1/4" (31,75 mm)</p> <p>BL1023 TOYOTA, NISSAN</p> <p>SAW/118613</p>	<p>CHAIN PIN KIT</p>  <p>4x4 1" (25,4 mm)</p> <p>LL1644 LINDE, STILL</p> <p>SAW/118614</p>
<p>CHAIN PIN KIT</p>  <p>6x6</p> <p>BL866</p> <p>SAW/120003</p>	<p>CHAIN PIN KIT</p>  <p>4x4</p> <p>BL844</p> <p>SAW/120004</p>


<p>PIN</p>  <p>SAW/215045</p>	<p>PIN</p>  <p>7,9x26,3 mm LINDE, STILL</p> <p>SAW/214573</p>
<p>PIN</p>  <p>8,26x50 mm LINDE, STILL</p> <p>SAW/214574</p>	<p>PIN</p>  <p>8,26x37,2 mm LINDE, STILL</p> <p>SAW/214576</p>
<p>PIN</p>  <p>9,51x82 mm LINDE, STILL</p> <p>SAW/214578</p>	<p>PIN</p>  <p>9,51x71,2 mm LINDE, STILL</p> <p>SAW/214590</p>




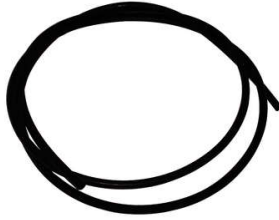
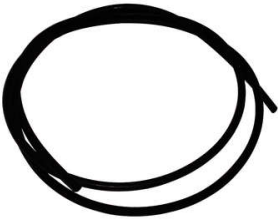
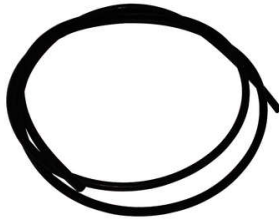
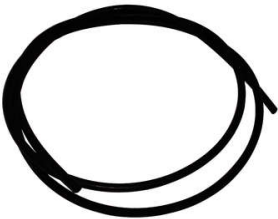
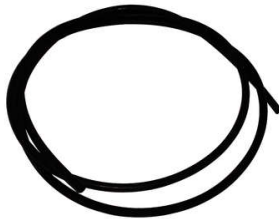
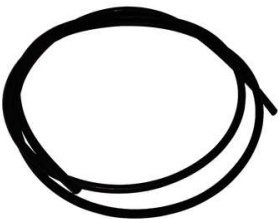
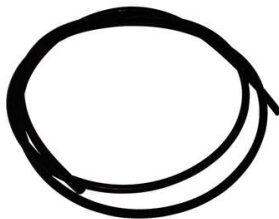
<p>FUSE</p> <p>MICRO 10A</p>  <p>SAW/111549</p>	<p>FUSE</p> <p>MICRO 15A</p>  <p>SAW/111550</p>
<p>FUSE</p> <p>MICRO 20A</p>  <p>SAW/111551</p>	<p>FUSE</p> <p>MICRO 25A</p>  <p>SAW/111552</p>
<p>FUSE</p> <p>MICRO 30A</p>  <p>SAW/111553</p>	<p>FUSE</p> <p>MICRO 7,5A</p>  <p>SAW/111554</p>
<p>FUSE</p> <p>30A 32V H-27 MM</p>  <p>SAW/117425</p>	<p>FUSE</p> <p>80A 58V 42,8MM</p>  <p>SAW/117426</p>
<p>FUSE</p> <p>STD 7,5A</p>  <p>SAW/118520</p>	<p>FUSE</p> <p>STD 10A</p>  <p>SAW/118521</p>

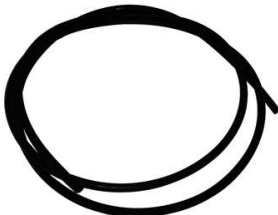
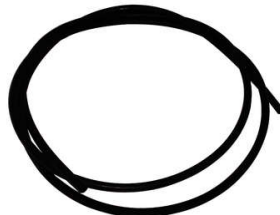
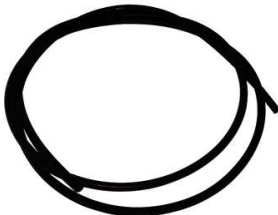
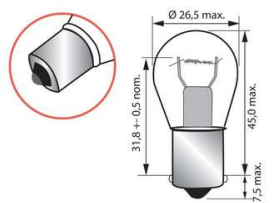
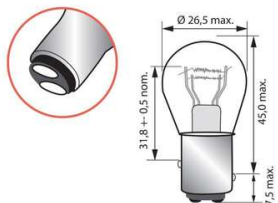
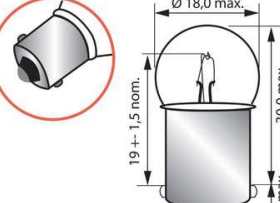
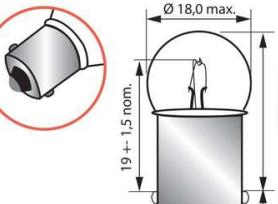
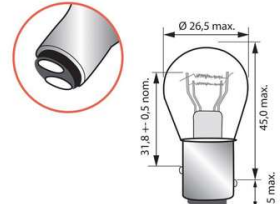
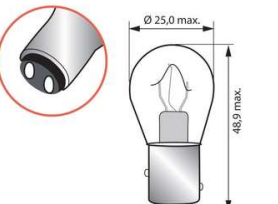
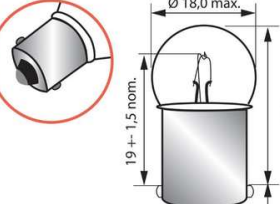
<p>FUSE</p> <p>MINI 7,5A</p>  <p>SAW/118522</p>	<p>FUSE</p> <p>MINI 15A</p>  <p>SAW/118523</p>
<p>FUSE</p> <p>MINI 10A</p>  <p>SAW/118524</p>	<p>FUSE</p> <p>MINI 20A</p>  <p>SAW/118862</p>
<p>FUSE</p> <p>MINI 25A</p>  <p>SAW/118863</p>	<p>FUSE</p> <p>MINI 30A</p>  <p>SAW/118864</p>
<p>FUSE</p> <p>STD 15A</p>  <p>SAW/118865</p>	<p>FUSE</p> <p>STD 20A</p>  <p>SAW/118866</p>
<p>FUSE</p> <p>STD 25A</p>  <p>SAW/118867</p>	<p>FUSE</p> <p>STD 30A</p>  <p>SAW/118868</p>

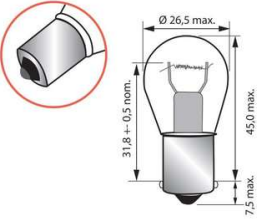
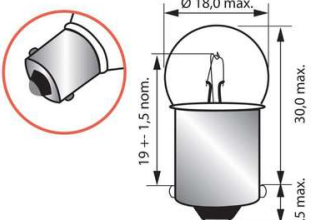
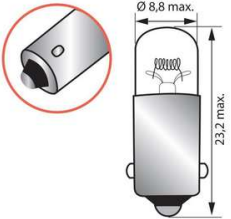
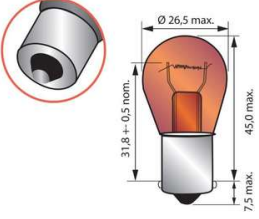
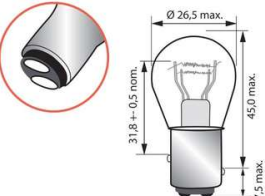
<p>CONTACT CLEANER SPRAY</p>  <p>SAW/119939</p>	<p>UNIVERSAL SPRAY</p>  <p>SAW/119941</p>
<p>RUST REMOVER SPRAY</p>  <p>SAW/119940</p>	<p>LIQUID GREASE SPRAY</p>  <p>SAW/119942</p>
<p>COCKPIT SHINER SPRAY</p>  <p>SAW/119938</p>	<p>TYRE SHINER SPRAY</p>  <p>SAW/120029</p>
<p>CARBURETOR CLEANER SPRAY</p>  <p>SAW/119943</p>	<p>BRAKE CLEANER SPRAY</p>  <p>SAW/119944</p>
<p>ENGINE CLEANER</p>  <p>SAW/119945</p>	<p>ARC ZONE LIGHT</p>  <p>LED 10-80V</p> <p>SAW/120919</p>

<p>ARC ZONE LIGHT</p>  <p>10-80V</p> <p>SAW/121083</p>	<p>BLUE SPOT LIGHT</p>  <p>LED 10-80V</p> <p>SAW/121078</p>
<p>BLUE SPOT LIGHT</p>  <p>BLUE LED 12V/24V</p> <p>SAW/119822</p>	<p>BLUE SPOT LIGHT</p>  <p>KOLOR NIEBIESKI LED 10-80V</p> <p>SAW/119826</p>
<p>BLUE SPOT- ARROW LIGHT</p> <p>Brak zdjęcia</p> <p>SAW/121445</p>	<p>LAMP</p>  <p>LED 10-80V</p> <p>SAW/120922</p>
<p>RED SPOT LIGHT</p>  <p>LED (9V / 80V)</p> <p>SAW/120923</p>	<p>LAMP</p>  <p>10-80V</p> <p>SAW/121082</p>
<p>RED ZONE LIGHT</p>  <p>LED 10-80V</p> <p>SAW/120325</p>	<p>LAMP</p>  <p>10-80V</p> <p>SAW/120431</p>

<p>LAMP</p>  <p>LED 10-80V</p> <p>SAW/120920</p>	<p>LAMP</p>  <p>10-80V</p> <p>SAW/120921</p>
<p>LAMP</p>  <p>9xLED 10-80V</p> <p>SAW/120326</p>	<p>LAMP</p>  <p>Lampa 5-LED 12/24 V Wodoodporna Wstrząsoodporna</p> <p>SAW/119821</p>
<p>LAMP</p>  <p>Lampa 9-LED 12/24 V Wodoodporna Wstrząsoodporna</p> <p>SAW/119847</p>	<p>LAMP</p>  <p>27W, 6000K 12-60V</p> <p>SAW/120137</p>
<p>MIRROR</p>  <p>SAW/111597</p>	<p>AUTOMATIC TRANSMISSION OIL (5L)</p>  <p>SAW/120506</p>
<p>HYDRAULIC OIL (5L)</p>  <p>SAW/120507</p>	<p>GEAR TRANSMISSION OIL (5L)</p>  <p>SAW/120508</p>

<p>MOTOR OIL (5L)</p>  <p>SAW/120509</p>	<p>MOTOR OIL (5L)</p>  <p>SAW/120510</p>
<p>RADIATOR FLUID (5L)</p>  <p>SAW/120505</p>	<p>FUEL HOSE</p>  <p>Φ- 10 1.0 MPa -30°C / +100°C GAS, OIL, WATER</p> <p>SAW/119951</p>
<p>FUEL HOSE</p>  <p>Φ- 12 1.0 MPa -30°C / +100°C GAS, OIL, WATER</p> <p>SAW/119955</p>	<p>FUEL HOSE</p>  <p>Φ- 14 1.0 MPa -30°C / +100°C GAS, OIL, WATER</p> <p>SAW/119952</p>
<p>FUEL HOSE</p>  <p>Φ- 3.2 0.2 MPa -30°C / +100°C GAS, OIL, WATER</p> <p>SAW/119946</p>	<p>FUEL HOSE</p>  <p>Φ- 4 0.2 MPa -30°C / +100°C GAS, OIL, WATER</p> <p>SAW/119947</p>
<p>FUEL HOSE</p>  <p>Φ-05 1.0 MPa -30°C / +100°C OIL, GAS, WATER</p> <p>SAW/119948</p>	<p>FUEL HOSE</p>  <p>Φ-0.6 1.0 MPa -30°C / +100°C GAS, OIL, WATER</p> <p>SAW/119949</p>

<p>FUEL HOSE</p>  <p> Φ-0.8 1.0 MPa -30'C / +100'C GAS, OIL, WATER </p> <p>SAW/119950</p>	<p>LPG HOSE</p>  <p> Φ- 16 0.45 MPa -25'C / +125'C GAS </p> <p>SAW/119968</p>
<p>LPG HOSE</p>  <p> Φ- 19 0.45 MPa -25'C / +125'C GAS </p> <p>SAW/119967</p>	<p>BULB</p>  <p>24V 21W</p> <p>SAW/119750</p>
<p>BULB</p>  <p>48V 25/10W</p> <p>SAW/119751</p>	<p>BULB</p>  <p>48V 10W</p> <p>SAW/119752</p>
<p>BULB</p>  <p>24V 5W</p> <p>SAW/119753</p>	<p>BULB</p>  <p>24V 21/5W</p> <p>SAW/119754</p>
<p>BULB</p>  <p>48V 25W</p> <p>SAW/119755</p>	<p>BULB</p>  <p>12V 10W</p> <p>SAW/119832</p>

<p>BULB</p>  <p>12V 21W</p> <p>SAW/119833</p>	<p>BULB</p>  <p>12V 5W</p> <p>SAW/119834</p>
<p>BULB</p>  <p>12V 2W</p> <p>SAW/119835</p>	<p>BULB</p>  <p>12V 21W Pomarańczowa</p> <p>SAW/119836</p>
<p>BULB</p>  <p>12V 21/5W</p> <p>SAW/119837</p>	



<p>RIM</p> <p>Na oponę 5.00-8</p>  <p>TOYOTA NISSAN MITSUBISHI</p> <p>SAW/113340</p>	<p>RIM</p> <p>Na oponę 6.00-9</p>  <p>TOYOTA NISSAN MITSUBISHI</p> <p>SAW/113342</p>
<p>RIM</p> <p>Na oponę 6.50-10</p>  <p>TOYOTA NISSAN MITSUBISHI</p> <p>SAW/113344</p>	<p>LOAD WHEEL</p>  <p>VULLKOLLAN 350X106X300</p> <p>BT 241860 241862 (bez łożysk)</p> <p>SAW/119873</p>
<p>LOAD WHEEL</p>  <p>VULLKOLLAN 343X146X275</p> <p>Jungheinrich 63195470 50052401 19960499</p> <p>SAW/119874</p>	<p>LOAD WHEEL</p>  <p>VULLKOLLAN 310X102X255</p> <p>STILL 8365302</p> <p>SAW/119875</p>
<p>LOAD WHEEL</p>  <p>VULLKOLLAN 310X102X255</p> <p>STILL 8427484 0009903904</p> <p>SAW/119876</p>	<p>LOAD WHEEL</p>  <p>VULLKOLLAN 300X106X256</p> <p>BT 7518697 241486</p> <p>SAW/119877</p>
<p>LOAD WHEEL</p>  <p>VULLKOLLAN 300X100X250</p> <p>BT 144443 147984 137587</p> <p>SAW/119878</p>	<p>LOAD WHEEL</p>  <p>VULLKOLLAN 285X100X247</p> <p>Jungheinrich 50262621 51078774</p> <p>SAW/119879</p>

<p>LOAD WHEEL</p>  <p>VULLKOLLAN 285X100X245</p> <p>LINDE 0009903910 0009903912</p> <p>SAW/119880</p>	<p>LOAD WHEEL</p>  <p>VULLKOLLAN 285X100X244</p> <p>Jungheinrich 51160629</p> <p>SAW/119881</p>
<p>LOAD WHEEL</p>  <p>VULLKOLLAN 285X100X243</p> <p>BT 163111 Jungheinrich 50015372 50056745, 63195320</p> <p>SAW/119882</p>	<p>LOAD WHEEL</p>  <p>VULLKOLLAN 285X100X228</p> <p>LINDE 0029902329 3769901500 0029903807</p> <p>SAW/119883</p>
<p>LOAD WHEEL</p>  <p>VULLKOLLAN 285X085X240</p> <p>BT 163111 215806 163111</p> <p>SAW/119884</p>	<p>LOAD WHEEL</p>  <p>VULLKOLLAN 230X110X191</p> <p>BT 177878</p> <p>SAW/119885</p>
<p>LOAD WHEEL</p>  <p>VULLKOLLAN 230X085X180</p> <p>Jungheinrich 50440384</p> <p>SAW/119886</p>	<p>DRIVE WHEEL</p>  <p>POLIURETAN 215X70X158</p> <p>BT, TOYOTA 127352, 239951 129920, 163950</p> <p>SAW/119494</p>
<p>DRIVE WHEEL</p>  <p>VULLKOLLAN 215X70X158</p> <p>BT, TOYOTA 127352, 239951 129920, 163950</p> <p>SAW/119495</p>	<p>DRIVE WHEEL</p>  <p>POLIURETAN 230X70X170</p> <p>BT, TOYOTA 256764, 249944</p> <p>SAW/119496</p>

<p>DRIVE WHEEL</p>  <p>POLIURETAN 230X70X170 Faza BT, TOYOTA 7535733</p> <p>SAW/119497</p>	<p>DRIVE WHEEL</p>  <p>POLIURETAN 230X70X184 JUNGHEINRICH 63210590, 50030951, 50020215 50460101, 51031747, 50019779,</p> <p>SAW/119498</p>
<p>DRIVE WHEEL</p>  <p>POLIURETAN 230X75X184 STILL 359920, 498813 LINDE 0009903812, 0009903819</p> <p>SAW/119499</p>	<p>DRIVE WHEEL</p>  <p>POLIURETAN 230X90X175 Linde 0039902305</p> <p>SAW/119500</p>
<p>DRIVE WHEEL</p>  <p>GUMA 230X90X175 Linde 0039902310</p> <p>SAW/119501</p>	<p>DRIVE WHEEL</p>  <p>POLIURETAN 230X90X185 Linde 0039933800</p> <p>SAW/119502</p>
<p>DRIVE WHEEL</p>  <p>POLIURETAN 250X82X204 BT 138457 Still 305061, 8667510 ATLET</p> <p>SAW/119503</p>	<p>DRIVE WHEEL</p>  <p>POLIURETAN 254X102X185 LINDE 0039902311, 1429903901</p> <p>SAW/119504</p>
<p>DRIVE WHEEL</p>  <p>VULKOLLAN 310X120X252 BT, TOYOTA 151991, 220400, 228247</p> <p>SAW/119505</p>	<p>DRIVE WHEEL</p>  <p>VULKOLLAN 330X135X275 Linde 9815000599</p> <p>SAW/119506</p>

<p>DRIVE WHEEL</p>  <p>VULKOLLAN 343X135X275 Linde 0029903814</p> <p>SAW/119507</p>	<p>DRIVE WHEEL</p>  <p>VULKOLLAN 360X130X295 Linde, Still 8428189</p> <p>SAW/119508</p>
<p>DRIVE WHEEL</p>  <p>VULKOLLAN 343x136x278 STILL 8365234, 365234</p> <p>SAW/120014</p>	<p>DRIVE WHEEL</p>  <p>VULKOLLAN 350X140X290</p> <p>SAW/120110</p>
<p>DRIVE WHEEL</p>  <p>Wymiary: 250x75x200 VULKOLLAN</p> <p>SAW/120234</p>	<p>DRIVE WHEEL</p>  <p>Wymiary: 230x82x188 POLIURETAN</p> <p>SAW/120284</p>
<p>DRIVE WHEEL</p>  <p>Wymiary: 230x82x188 VULKOLLAN 50460100</p> <p>SAW/120285</p>	<p>DRIVE WHEEL</p>  <p>VULKOLLAN 230x70x170</p> <p>SAW/120406</p>
<p>DRIVE WHEEL</p>  <p>Poliuretan 250x60x213</p> <p>SAW/120577</p>	<p>DRIVE WHEEL</p>  <p>GUMA 254x102</p> <p>SAW/120735</p>

<p>DRIVE WHEEL</p>  <p>VULKOLLAN 342x140</p> <p>SAW/120743</p>	<p>DRIVE WHEEL</p>  <p>VULKOLLAN 330x140x90</p> <p>SAW/120775</p>
<p>DRIVE WHEEL</p> <p>Wymiary: 230X90185</p> <p>Brak zdjęcia</p> <p>SAW/214914</p>	<p>DRIVE WHEEL</p> <p>POLIURETAN</p> <p>Brak zdjęcia</p> <p>SAW/411207</p>
<p>WHEEL</p>  <p>POLIURETAN 100X40X75</p> <p>Jungheinrich 27634540 Still 4413462 Linde 0009933800</p> <p>SAW/119509</p>	<p>WHEEL</p>  <p>POLIURETAN 100X40X80</p> <p>BT 167797, LINDE 9933808 Still 4413462, 8410988 JUNGHEINRICH 50303847</p> <p>SAW/119510</p>
<p>WHEEL</p>  <p>POLIURETAN 125X40X100</p> <p>Linde, Still 0009933864</p> <p>SAW/119511</p>	<p>WHEEL</p>  <p>VULKOLLAN 125X50X105</p> <p>BT, TOYOTA 156259, 171999</p> <p>SAW/119512</p>
<p>WHEEL</p>  <p>POLIURETAN 125X50X105</p> <p>BT, TOYOTA 252735</p> <p>SAW/119513</p>	<p>WHEEL</p>  <p>POLIURETAN 125X60X95</p> <p>LINDE 0199933800 0009933803, 0009933821 0009933822</p> <p>SAW/119514</p>

<p>WHEEL</p>  <p>VULKOLLAN 140X50X105</p> <p>Linde 0039933811, 0039933812</p> <p>SAW/119515</p>	<p>WHEEL</p>  <p>POLIURETAN 140X54X110</p> <p>Linde, Still 0009933747 Jungheinrich 50019777, 50056035 50312941, 50056034, 50432647</p> <p>SAW/119516</p>
<p>WHEEL</p>  <p>POLIURETAN 150X48X125</p> <p>BT, TOYOTA 171029, 139345, 151403 171020, 159836</p> <p>SAW/119517</p>	<p>WHEEL</p>  <p>POLIURETAN 150X48X125</p> <p>LINDE 0039903514, 0039903515</p> <p>SAW/119518</p>
<p>WHEEL</p>  <p>POLIURETAN 150X54X125</p> <p>STILL 4498970, 4498976 Jungheinrich 27634500, 50312943 Atlet/Nissan 75770</p> <p>SAW/119519</p>	<p>WHEEL</p>  <p>POLIURETAN 125X050X105</p> <p>SAW/119846</p>
<p>WHEEL</p>  <p>POLIURETAN 140X060X115</p> <p>SAW/119909</p>	<p>WHEEL</p>  <p>POLIURETAN 125X040X100</p> <p>SAW/119912</p>
<p>WHEEL</p>  <p>POLIURETAN 140x60x115</p> <p>SAW/120120</p>	<p>WHEEL</p>  <p>POLIURETAN 125x40</p> <p>SAW/120693</p>


<p>WHEEL</p>  <p>POLIURETAN 100x40x75</p> <p>SAW/120814</p>	<p>WHEEL</p>  <p>SAW/120989</p>
<p>WHEEL, STEER</p>  <p>Guma/ Aluminium 200x50x50 mm</p> <p>SAW/117478</p>	<p>WHEEL, STEER</p>  <p>POLIURETAN 200x50x50 mm</p> <p>SAW/118918</p>
<p>WHEEL, STEER</p>  <p>POLIURETAN Φ 200 MM</p> <p>SAW/120626</p>	<p>WHEEL, LOAD</p>  <p>POLIURETAN 80x70x47x14 mm</p> <p>SAW/117483</p>
<p>LOAD ROLLER</p>  <p>POLIURETAN 82X66</p> <p>Jungheinrich 71307320 STILL BT 10099, 215175</p> <p>SAW/119520</p>	<p>LOAD ROLLER</p>  <p>POLIURETAN 85X60</p> <p>Linde 0039903512, 0039903578</p> <p>SAW/119521</p>
<p>LOAD ROLLER</p>  <p>POLIURETAN 85X70</p> <p>BT 10099, 215175, 180135 LINDE 0039903507 Jungheinrich 50440837</p> <p>SAW/119522</p>	<p>LOAD ROLLER</p>  <p>POLIURETAN 85X70</p> <p>BT, TOYOTA 215183 225145, 215007, 220212 150131001, 252600</p> <p>SAW/119523</p>

<p>LOAD ROLLER</p>  <p>POLIURETAN 85X75</p> <p>BT, TOYOTA 167607, 167610 252540, 200968</p> <p>SAW/119524</p>	<p>LOAD ROLLER</p>  <p>VULKOLLAN 85X80</p> <p>Still 8411624, 4481005</p> <p>SAW/119525</p>
<p>LOAD ROLLER</p>  <p>POLIURETAN 85X80</p> <p>Linde 0039933603, 0039933648</p> <p>SAW/119526</p>	<p>LOAD ROLLER</p>  <p>POLIURETAN 85X85</p> <p>Linde 0039903513 0039903579, 0422061470 Jungheinrich 51062996</p> <p>SAW/119527</p>
<p>LOAD ROLLER</p>  <p>POLIURETAN 85X95</p> <p>TOYOTA, BT 225152, 167599 826883, 201261</p> <p>SAW/119528</p>	<p>LOAD ROLLER</p>  <p>POLIURETAN 85X95</p> <p>TOYOTA, BT 253072</p> <p>SAW/119529</p>
<p>LOAD ROLLER</p>  <p>VULKOLLAN 85X100</p> <p>Still 0009933910 8413923, 8490050</p> <p>SAW/119530</p>	<p>LOAD ROLLER</p>  <p>POLIURETAN 85X100</p> <p>TOYOTA, BT 146383, 129929 31186, 10100</p> <p>SAW/119531</p>
<p>LOAD ROLLER</p>  <p>POLIURETAN 85X105</p> <p>Linde 0039933649</p> <p>SAW/119532</p>	<p>LOAD ROLLER</p>  <p>POLIURETAN 85X110</p> <p>Jungheinrich 27631340, 63145310 50307483, 51064609, 51041341, 63145310</p> <p>SAW/119533</p>

<p>LOAD ROLLER</p>  <p>POLIAMID 82x66</p> <p>BT, TOYOTA, LINDE, STILL, JUNGHEINRICH</p> <p>SAW/119572</p>	<p>LOAD ROLLER</p>  <p>VULKOLLAN 85X95</p> <p>SAW/119612</p>
<p>LOAD ROLLER</p>  <p>POLIURETAN 85X095</p> <p>SAW/119756</p>	<p>LOAD ROLLER</p>  <p>POLIURETAN 85x100</p> <p>SAW/120652</p>
<p>LOAD ROLLER</p>  <p>POLIURETAN 85x105</p> <p>SAW/120714</p>	<p>LOAD ROLLER</p>  <p>85x85</p> <p>SAW/120767</p>
<p>LOAD ROLLER</p>  <p>VULKOLLAN 85x85</p> <p>SAW/120768</p>	<p>LOAD ROLLER</p>  <p>VULKOLLAN 85x75</p> <p>SAW/120773</p>
<p>LOAD ROLLER</p>  <p>POLIURETAN 60x35</p> <p>SAW/120810</p>	<p>LOAD ROLLER</p>  <p>POLIURETAN 85x60</p> <p>SAW/120813</p>

<p>LOAD ROLLER</p>  <p>POLIURETAN 85x80</p> <p>SAW/120815</p>	<p>LOAD ROLLER</p>  <p>Wymiary: 85X85</p> <p>SAW/120816</p>
<p>LOAD ROLLER</p>  <p>85X75</p> <p>SAW/511333</p>	<p>BUSH</p> <p>Brak zdjęcia</p> <p>SAW/214997</p>
<p>LOAD CASTOR ASSY</p>  <p>SAW/215013</p>	<p>LOAD CASTOR ASSY</p>  <p>SAW/214525</p>
<p>LOAD CASTOR ASSY</p>  <p>SAW/214953</p>	<p>Wahacz rolki wideł</p> <p>Brak zdjęcia</p> <p>SAW/214970</p>
<p>Wahacz rolki wideł</p> <p>Brak zdjęcia</p> <p>SAW/214983</p>	<p>LOAD CASTOR ASSY</p>  <p>SAW/214996</p>

CASTORS & WHEELS Universal

<p>LOAD CASTOR ASSY</p>  <p>SAW/215004</p>	<p>LOAD CASTOR ASSY</p> <p>Brak zdjęcia</p> <p>SAW/611118</p>
<p>LOAD CASTOR ASSY</p> <p>Brak zdjęcia</p> <p>SAW/611119</p>	<p>LOAD CASTOR ASSY</p> <p>Brak zdjęcia</p> <p>SAW/611120</p>

<p>SOCKET</p>  <p>DIN.320A/70</p> <p>TOYOTA, BT LINDE NISSAN</p> <p>SAW/120322</p>	<p>SOCKET</p>  <p>DIN.320A/70 REMA/95605-01</p> <p>TOYOTA / BT LINDE NISSAN</p> <p>SAW/214656</p>
<p>SOCKET</p>  <p>DIN.80A/25</p> <p>TOYOTA, BT LINDE NISSAN</p> <p>SAW/120320</p>	<p>SOCKET</p>  <p>DIN.320A/70</p> <p>TOYOTA, BT LINDE NISSAN</p> <p>SAW/120321</p>
<p>SOCKET</p>  <p>DIN.160A/50</p> <p>TOYOTA, BT LINDE NISSAN</p> <p>SAW/120323</p>	<p>SOCKET</p>  <p>DIN.80A/35 REMA/95309-01</p> <p>TOYOTA / BT LINDE NISSAN</p> <p>SAW/214652</p>
<p>SOCKET</p>  <p>DIN.160A/50 REMA/95017-01</p> <p>TOYOTA / BT LINDE NISSAN</p> <p>SAW/214654</p>	<p>HANDLE</p>  <p>DIN.160/320A REMA/95066-68</p> <p>TOYOTA / BT LINDE NISSAN</p> <p>SAW/214657</p>
<p>HANDLE</p>  <p>FLAT 160,175,320,350 UNIWERSAL REMA/78297-22</p> <p>TOYOTA / BT LINDE NISSAN</p> <p>SAW/214671</p>	<p>PLUG</p>  <p>DIN.80A/25</p> <p>TOYOTA LINDE BT, STILL</p> <p>SAW/120317</p>

<p>PLUG</p>  <p>DIN.320A/70</p> <p>TOYOTA, BT NISSAN LINDE</p> <p>SAW/120318</p>	<p>PLUG</p>  <p>DIN.160A/50</p> <p>TOYOTA, BT NISSAN LINDE</p> <p>SAW/120319</p>
<p>PLUG</p>  <p>DIN.80A/25 REMA/95199-00</p> <p>TOYOTA / BT LINDE NISSAN</p> <p>SAW/214651</p>	<p>PLUG</p>  <p>DIN.160A/50 REMA/95044-01</p> <p>TOYOTA / BT LINDE NISSAN</p> <p>SAW/214653</p>
<p>PLUG</p>  <p>DIN.320A/70 REMA/95505-01</p> <p>TOYOTA / BT LINDE NISSAN</p> <p>SAW/214655</p>	<p>CONNECTOR</p>  <p>FLAT 380A 80V BLACK</p> <p>SAW/120379</p>
<p>CONNECTOR</p>  <p>SAW/120382</p>	<p>CONNECTOR</p>  <p>FLAT 350A 24V RED</p> <p>SAW/120383</p>
<p>CONNECTOR</p>  <p>FLAT 160A/50 24V RED REMA/78036-00</p> <p>TOYOTA / BT LINDE NISSAN</p> <p>SAW/214658</p>	<p>CONNECTOR</p>  <p>FLAT 160A/50 36V GREY REMA/78028-00</p> <p>TOYOTA / BT LINDE NISSAN</p> <p>SAW/214659</p>

<p>CONNECTOR</p>  <p>FLAT 160A/50 48V Blue REMA/78030-00</p> <p>TOYOTA / BT LINDE NISSAN</p> <p>SAW/214660</p>	<p>CONNECTOR</p>  <p>FLAT 320A/70 24V RED REMA/78341-00</p> <p>TOYOTA / BT LINDE NISSAN</p> <p>SAW/214661</p>
<p>CONNECTOR</p>  <p>FLAT 320A/70 36V GREY REMA/78331-00</p> <p>TOYOTA / BT LINDE NISSAN</p> <p>SAW/214662</p>	<p>CONNECTOR</p>  <p>FLAT 320A/70 48V BLUE REMA/78336-00</p> <p>TOYOTA / BT LINDE NISSAN</p> <p>SAW/214663</p>
<p>CONNECTOR</p>  <p>FLAT 320A/70 80V BLACK REMA/78350-00</p> <p>TOYOTA / BT LINDE NISSAN</p> <p>SAW/214664</p>	<p>CONNECTOR</p>  <p>FLAT 350A/70 24V RED REMA/78308-00</p> <p>TOYOTA / BT LINDE NISSAN</p> <p>SAW/214665</p>
<p>CONNECTOR</p>  <p>FLAT 350A/70 36V GREY REMA/78300-00</p> <p>TOYOTA / BT LINDE NISSAN</p> <p>SAW/214666</p>	<p>CONNECTOR</p>  <p>FLAT 350A/70 48V BLUE REMA/78304-00</p> <p>TOYOTA / BT LINDE NISSAN</p> <p>SAW/214667</p>
<p>CONNECTOR</p>  <p>FLAT 175A/50 24V RED REMA/78236-00</p> <p>TOYOTA / BT LINDE NISSAN</p> <p>SAW/214668</p>	<p>CONNECTOR</p>  <p>FLAT 175A/50 36V GREY REMA/78220-00</p> <p>TOYOTA / BT LINDE NISSAN</p> <p>SAW/214669</p>

CONNECTORS Universal

CONNECTOR



FLAT 175A/50 48V
BLUE
REMA/78224-00
TOYOTA / BT
LINDE
NISSAN

SAW/214670

CONNECTOR

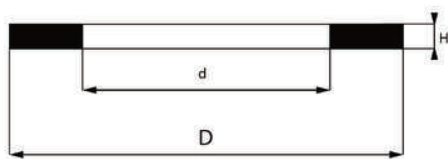


FLAT 160A 80V
BLACK
TOYOTA/ BT
LINDE
NISSAN

SAW/214766

BACK UP-RINGS PP1

Części uniwersalne

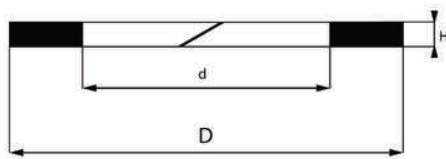


PTFE

Kod	d	D	H
SAW/117716	39	46	1.3
SAW/118740	40	50	2
SAW/117717	40	53	2
SAW/119488	55	65	1.9
SAW/117724	60	70	1.5
SAW/119489	60	70	1.9
SAW/119490	65	70	1.5
SAW/117723	70	75	1.3
SAW/117721	77	90	2.5
SAW/117718	85	90	1.3
SAW/117719	85	100	2
SAW/117722	90	95	1.3
SAW/117720	105	110	1.3

BACK UP-RINGS PP3

Części uniwersalne



PTFE

Kod	d	D	H
SAW/117725	22	30	1
SAW/118457	25	33	1
SAW/117726	30	40	1.5
SAW/117727	35	45	2
SAW/117728	40	50	2
SAW/118458	42	55	2
SAW/118459	44	53.5	1.8
SAW/118460	45	55	2
SAW/118461	50	56	1.3
SAW/117745	50	60	1.7
SAW/117729	50	60	1.72
SAW/117730	50	63	2
SAW/117731	50	65	2
SAW/117732	55	65	1.5
SAW/117749	60	70	1.5
SAW/117744	60	70	2.5
SAW/117733	65	70	1.3
SAW/117746	65	75	2.5
SAW/117734	70	75	1.7
SAW/117738	70	80	1.5
SAW/117748	72	85	2.5
SAW/117735	75	80	1.7
SAW/117747	75	80	1.3
SAW/117752	75	85	1.5
SAW/117737	75	85	1.7
SAW/117740	77	90	2.5
SAW/117750	82	95	2.5
SAW/117736	85	90	1.3
SAW/117739	90	95	1.3

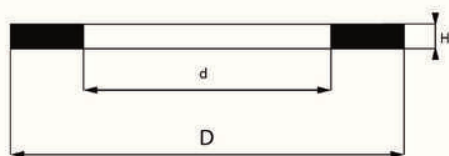
BACK UP-RINGS PP3

Części uniwersalne

Kod	d	D	H
SAW/117751	95	100	1.3
SAW/117742	95	110	2
SAW/117741	105	110	1.3
SAW/117743	110	115	1.3

WEAR RINGS WR1

Części uniwersalne

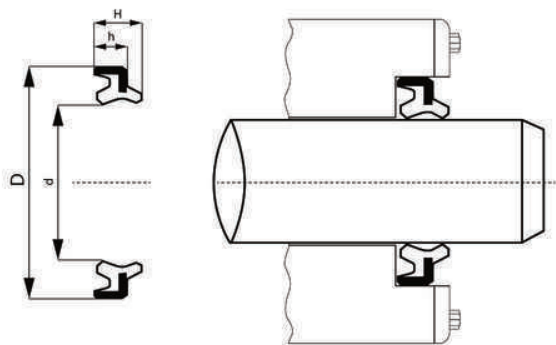


Żywica fenolowa

Kod	d	D	H
SAW/121732			
SAW/511197			
SAW/117710	40	45	9.7
SAW/117711	41	45	14.6
SAW/118705	45	50	15.0
SAW/117712	46	50	9.7
SAW/117713	46	50	14.6
SAW/118469	49	53	9.8
SAW/117714	54	60	15.4
SAW/117715	59	65	15.4
SAW/117707	64	70	15.6
SAW/117709	69	75	19.8
SAW/117702	79	85	19.6
SAW/117700	80	85	9.4
SAW/117705	84	90	19.6
SAW/117703	84	90	24.6
SAW/117699	85	90	9.4
SAW/117708	89	95	24.35
SAW/117704	99	105	24.8
SAW/117701	100	105	9.4
SAW/117706	104	110	29.4

SEALS DKB1

Części uniwersalne

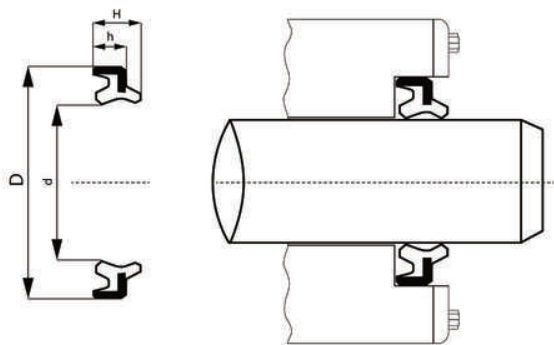


NBR+METAL

Kod	d	D	h	H
SAW/118352	20	32	6	9
SAW/118237	22	32	6	9
SAW/117360	30	42	6	9
SAW/117361	32	44	7	10
SAW/117362	35	47	7	10
SAW/117363	40	52	7	10
SAW/117364	45	57	7	10
SAW/117365	50	62	7	10
SAW/117366	60	74	8	11
SAW/117367	70	84	8	11
SAW/117368	75	89	8	12
SAW/117369	85	99	8	11
SAW/117370	95	109	8	11

SEALS DKB2

Części uniwersalne

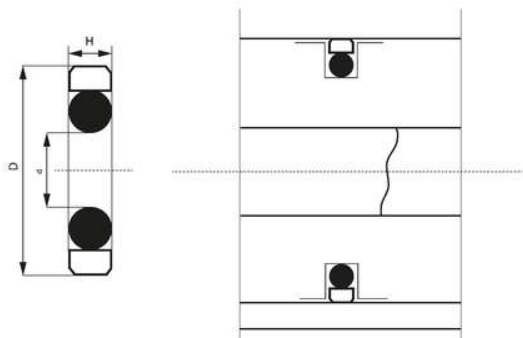


PU + Metal

Kod	d	D	h	H
SAW/118332	22	34	7	9
SAW/118332	22	34	7	9
SAW/118468	25	37	6	9
SAW/118468	25	37	6	9
SAW/118333	30	42	6	9
SAW/118333	30	42	6	9
SAW/118334	32	44	7	10
SAW/118335	40	52	7	10
SAW/118336	50	60	7	10
SAW/118336	50	60	7	10
SAW/118337	50	62	7	10
SAW/118337	50	62	7	10
SAW/118338	70	84	8	11
SAW/118338	70	84	8	11
SAW/118339	75	89	8	11
SAW/118339	75	89	8	11

SEALS GRB

Części uniwersalne

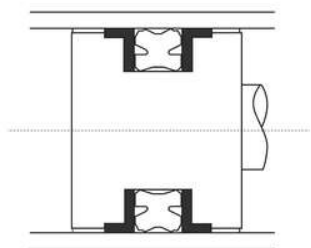
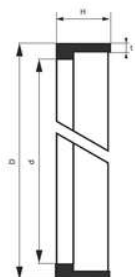


PTFE+BRONZE
NBR

Kod	D	d	H
SAW/117690	70	54.5	6.3
SAW/117691	70	59	4.2
SAW/117692	75	59.5	6.3
SAW/117693	75	63	4.2
SAW/117694	80	62.5	6.3
SAW/117695	80	68	4.2
SAW/118472	83	67	6.3
SAW/118471	84	69	6.3
SAW/118470	84	74	3.9
SAW/118473	87	71	6.3
SAW/117697	87	73	6.3
SAW/117698	87	76	4
SAW/117696	90	73	6.3

SEALS PWL

Części uniwersalne

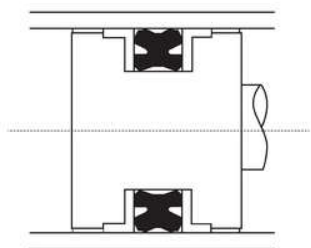
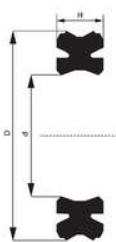


PTFE

Kod	D	d	H	t
SAW/117371	45	35	18.3	2
SAW/117372	50	40	18.3	2
SAW/117373	70	55	6.3	2
SAW/117374	70	60	7	2
SAW/117375	90	77	7	2

SEALS RGU

Części uniwersalne

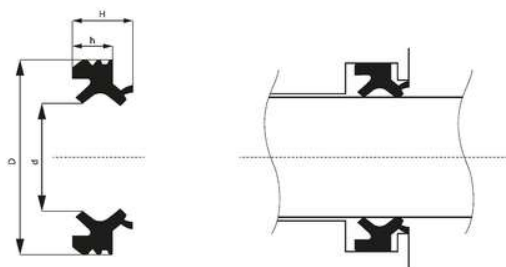


NBR

Kod	D	d	H
SAW/120559			
SAW/117376	70	60	6.5
SAW/117377	75	65	6.5
SAW/117378	85	72	8
SAW/117379	90	77	8
SAW/117380	95	82	9

SEALS SCK1

Części uniwersalne



NBR

Kod	d	D	h	H
SAW/117381	30	42	5.8	7.7
SAW/117382	40	52	6.8	8.7
SAW/117383	50	62	6.8	8.7
SAW/117384	55	69	7.7	10

SEALS U1

Części uniwersalne



NBR

Kod	d	D	H
SAW/117655	22	30	5
SAW/118307	22	30	5.5
SAW/117656	30	40	6
SAW/118308	30	42	10
SAW/117657	32	42	6
SAW/117658	35	45	6
SAW/117659	40	50	6
SAW/117686	40	53	8.3
SAW/118463	42	55	8
SAW/117660	45	55	6
SAW/117661	50	60	6
SAW/117662	50	63	8
SAW/118464	50	63	8.5
SAW/117663	55	65	6
SAW/117664	75	85	6

SEALS U2

Części uniwersalne



PU

Kod	d	D	H
SAW/511293			
SAW/118299	22	30	6
SAW/118298	22	30	5
SAW/118322	22	33	5.8
SAW/118300	25	33	5
SAW/118477	25	33	5.7
SAW/118297	25	35	7
SAW/118301	25	36	6
SAW/118303	30	38	5.8
SAW/118302	30	38	5
SAW/118304	30	40	6
SAW/118305	30	40	7
SAW/118306	30	42	10
SAW/118323	32	42	6
SAW/118331	35	45	10
SAW/117665	35	45	6
SAW/117666	40	50	6
SAW/118325	45	55	7
SAW/118324	45	55	6
SAW/118462	45	55	8
SAW/117667	50	60	6
SAW/117668	50	63	8
SAW/118326	55	70	10
SAW/117669	60	70	6
SAW/118327	65	75	7
SAW/117671	70	80	5.5

SEALS U2

Części uniwersalne

Kod	d	D	H
SAW/117685	70	80	5
SAW/118328	70	85	10
SAW/117670	75	85	6
SAW/118329	80	90	6



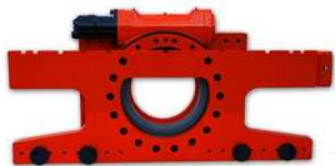
Podkładki

Kod	Wymiary
SAW/119310	25X46X0.1
SAW/119311	25X46X0.25
SAW/118532	25X42X1.0
SAW/119313	25X48X0.2
SAW/120481	25x46x0,50
SAW/119314	25X48X0.6
SAW/119312	25X46X0.75
SAW/119315	31X52X0.1
SAW/119317	31X52X0.75
SAW/120482	31x52x0,50
SAW/119316	31X52X0.3
SAW/119318	32X52X0.2
SAW/119319	32X52X0.6
SAW/117591	36X48X1
SAW/118926	36X60X1.0
SAW/117629	36X48X0.5
SAW/118928	36X60X0.5
SAW/117634	40X60X0.5
SAW/117502	40X60X1
SAW/118246	45X59X0.5
SAW/118247	45X59X1
SAW/117588	50X70X0.5
SAW/117576	50X70X1.5
SAW/118927	50X70X1

WASHERS

Części uniwersalne

Kod	Wymiary
SAW/117534	50X70X2.0
SAW/118932	65X92X1.0
SAW/118931	65X92X0.5

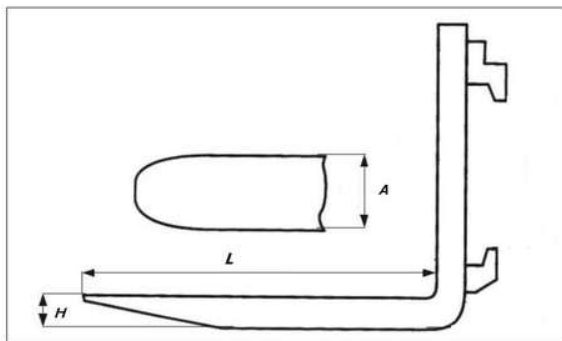


Obrotnica 360

Kod	Model	Udźwig całkowity	Szerokość	Klasa montażowa ISO
SAW/119447	OW30	3000kg	1080mm	III
SAW/119443	OW25	2500kg	1080mm	II
SAW/119446	OW25P	2500kg	1280mm	II
SAW/119444	OW25L	2500kg	1280mm	II
SAW/119448	OW30L	3000kg	1280mm	III
SAW/119445	OW25LP	2500kg	1480mm	II
SAW/119450	OW30P	3000kg	1280mm	III
SAW/119449	OW30LP	3000kg	1480mm	III

FORKS

Części uniwersalne



Kod	Klasa karetki (B)	Długość (L)	Grubość (H)	Szerokość (A)
SAW/117554	2A	1000	40	100
SAW/117535	2A	1000	35	100
SAW/117585	2A	1100	40	100
SAW/117564	2A	1100	35	100
SAW/117508	2A	1200	35	100
SAW/117496	2A	1200	40	100
SAW/121581	2A	1200	40	100
SAW/118921	3A	1200	50	125
SAW/119042	3A	1200	45	100
SAW/119045	3A	1400	50	125
SAW/119043	3A	1400	45	100
SAW/119044	3A	1600	45	100
SAW/119046	3A	1600	50	125



Łańcuchy śnieżne

Kod	Rozmiar opony	Grubość ogniw mm2	Wykonanie
SAW/113549	6.50x10	5,5	Standard
SAW/113551	6.50x10	5,5	Power
SAW/113550	6.50x10	7	Standard
SAW/113555	7.00x12	5,5	Standard
SAW/113553	7.00x12	5,5	Power
SAW/113556	7.00x12	7	Standard
SAW/113560	8.15-15;28-9-15	5,5	Standard
SAW/113563	8.15-15;28-9-15	5,5	Power
SAW/113561	8.15-15;28-9-15	7	Standard
SAW/113570	18x7-8	5,5	Standard
SAW/113565	250x15;27x10/12	5,5	Standard
SAW/113566	250x15;27x10/12	7	Standard
SAW/113569	300x15	5,5	Standard
SAW/117558	300x15	7	Standard
SAW/113546	600x9	5,5	Standard