




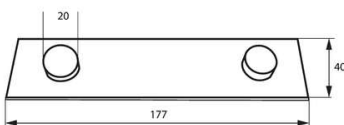
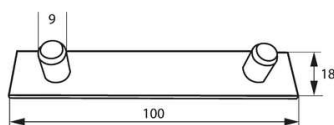
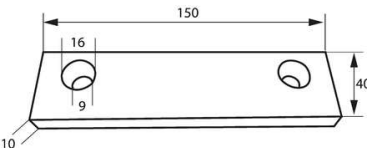

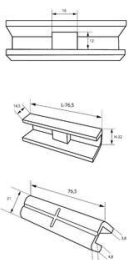


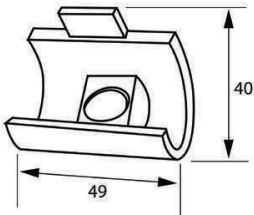
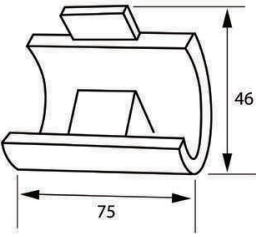
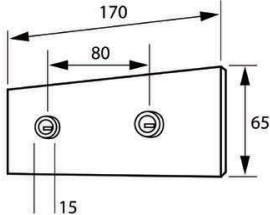
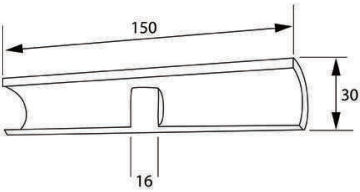
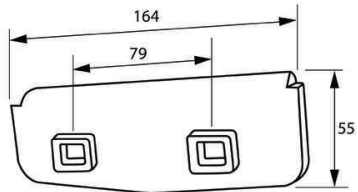
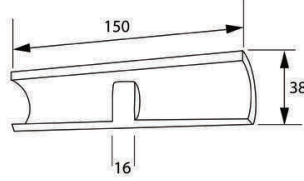
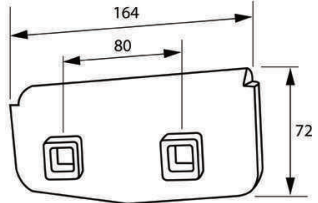
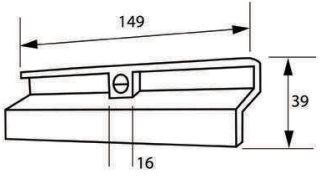
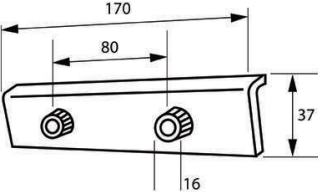
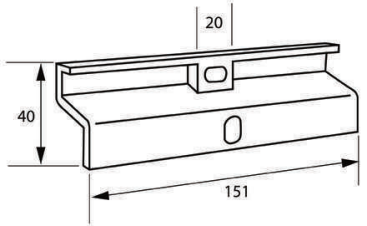
SLIDE ATTACHMENT Universal

<p>SHIM</p>  <p>Φ-30 mm φ-20 mm H-4 mm</p> <p>SAW/119481</p>	<p>DOUBLE HOSE CLAMPS</p>  <p>Φ- 14 mm</p> <p>SAW/118060</p>
<p>ROLLER</p>  <p>Φ-110X20 mm H-23 mm</p> <p>SAW/119054</p>	<p>DOUBLE ROLLER</p>  <p>Φ-120X20 mm H-46 mm</p> <p>SAW/119114</p>
<p>SLIDE</p>  <p>Plastik</p> <p>SAW/121417</p>	<p>SLIDE</p>  <p>Toyota</p> <p>SAW/113175</p>
<p>SLIDE</p>  <p>Mosiądz</p> <p>SAW/113176</p>	<p>SLIDE</p>  <p>Plastik</p> <p>SAW/113178</p>
<p>SLIDE</p>  <p>Plastik</p> <p>SAW/121416</p>	<p>SLIDE</p>  <p>Plastik</p> <p>SAW/113198</p>

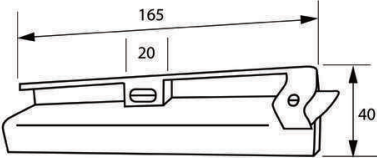
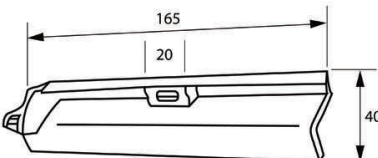
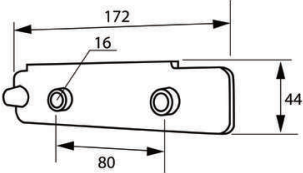
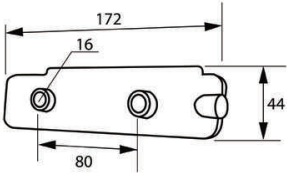
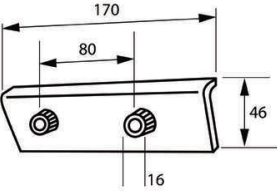
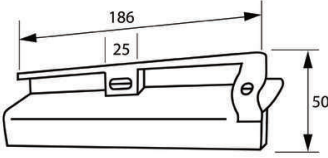
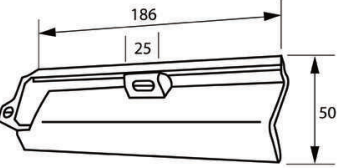
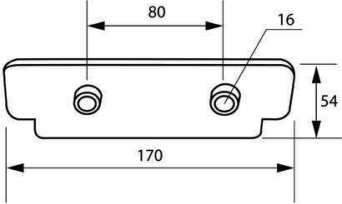
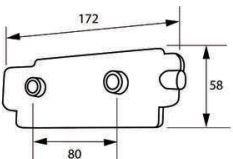
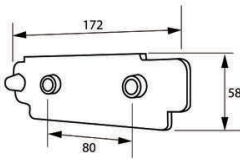
SLIDE ATTACHMENT Universal

<p>SLIDE</p> <p>Plastik</p> <p>SAW/113201</p>	<p>SLIDE</p> <p>Plastik</p> <p>SAW/121415</p>
<p>SLIDE</p> <p>SAW/120561</p>	<p>SLIDE</p> <p>SAW/120801</p>
<p>SLIDE</p> <p>Plastik</p> <p>SAW/113239</p>	<p>SLIDE</p> <p>Mosiądz</p> <p>SAW/113240</p>
<p>SLEEVE</p> <p>SAW/511354</p>	<p>SLEEVE</p> <p>SAW/511355</p>
<p>SLIDE</p> <p>Brak zdjęcia</p>	<p>SLIDE</p> <p>Plastik</p> <p>Bolzoni</p> <p>SAW/118003</p>

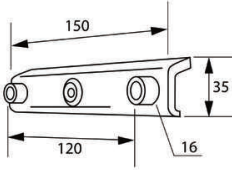
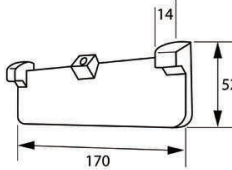
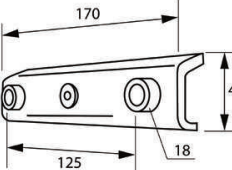
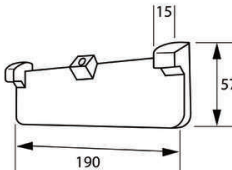
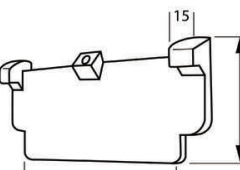
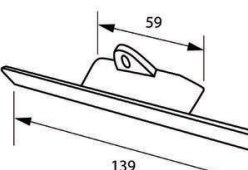
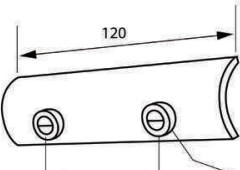
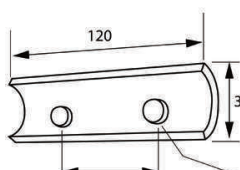
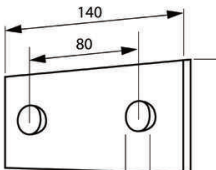
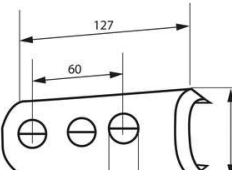
SLIDE ATTACHMENT Universal

<p>SLIDE</p>  <p>Brąz</p> <p>Bolzoni</p> <p>SAW/118004</p>	<p>SLIDE</p>  <p>Plastik</p> <p>Bolzoni</p> <p>SAW/118005</p>
<p>SLIDE</p>  <p>Plastik</p> <p>Bolzoni</p> <p>SAW/118006</p>	<p>SLIDE</p>  <p>Plastik</p> <p>Bolzoni</p> <p>SAW/118007</p>
<p>SLIDE</p>  <p>Plastik</p> <p>Bolzoni</p> <p>SAW/118008</p>	<p>SLIDE</p>  <p>Plastik</p> <p>Bolzoni</p> <p>SAW/118009</p>
<p>SLIDE</p>  <p>Plastik</p> <p>Bolzoni</p> <p>SAW/118010</p>	<p>SLIDE</p>  <p>Plastik SS Kaup</p> <p>Toyota Linde Jungheinrich</p> <p>SAW/118011</p>
<p>SLIDE</p>  <p>Plastik</p> <p>Bolzoni Cesab Linde</p> <p>SAW/118012</p>	<p>SLIDE</p>  <p>Plastik</p> <p>Bolzoni Toyota</p> <p>SAW/118013</p>

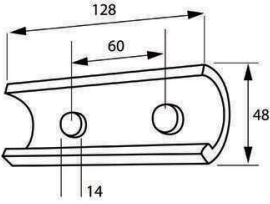
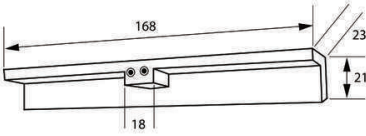
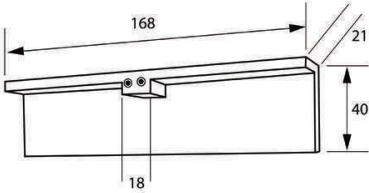
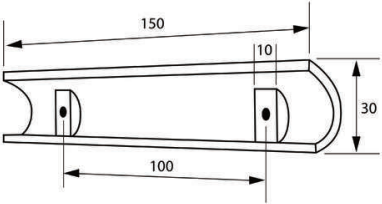
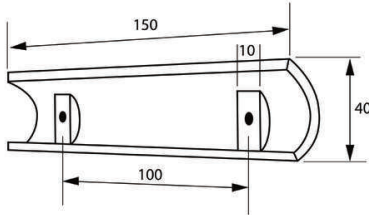
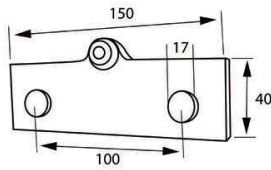
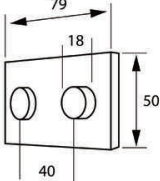
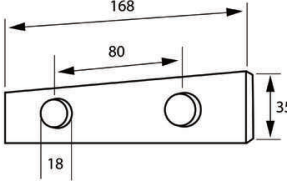
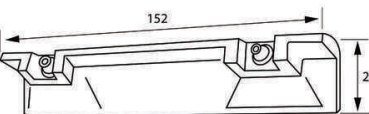
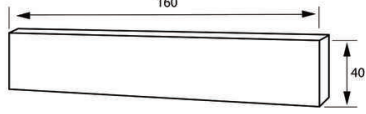
SLIDE ATTACHMENT Universal

<p>SLIDE</p>  <p>Plastik SS Kaup</p> <p>Toyota Linde Jungheinrich</p> <p>SAW/118014</p>	<p>SLIDE</p>  <p>Plastik SS Kaup</p> <p>Toyota Linde Jungheinrich</p> <p>SAW/118015</p>
<p>SLIDE</p>  <p>Plastik</p> <p>Bolzoni Om Linde Jungheinrich</p> <p>SAW/118016</p>	<p>SLIDE</p>  <p>Plastik</p> <p>Bolzoni Om Linde Jungheinrich</p> <p>SAW/118017</p>
<p>SLIDE</p>  <p>Plastik</p> <p>Bolzoni Cesab Linde</p> <p>SAW/118018</p>	<p>SLIDE</p>  <p>Plastik</p> <p>Bolzoni Linde Yale</p> <p>SAW/118019</p>
<p>SLIDE</p>  <p>Plastik</p> <p>Bolzoni Cesab Linde, Yale Jungheinrich</p> <p>SAW/118020</p>	<p>SLIDE</p>  <p>Plastik</p> <p>SAW/118021</p>
<p>SLIDE</p>  <p>Plastik</p> <p>Bolzoni Linde Yale</p> <p>SAW/118022</p>	<p>SLIDE</p>  <p>Plastik</p> <p>Bolzoni Linde Yale</p> <p>SAW/118023</p>

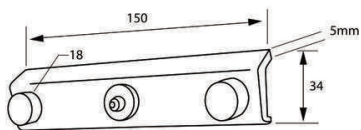
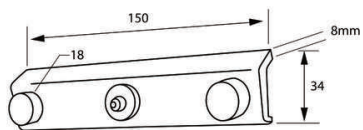
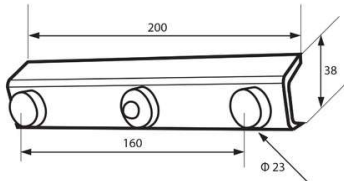
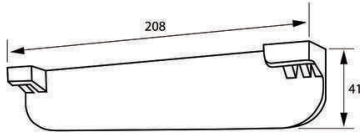
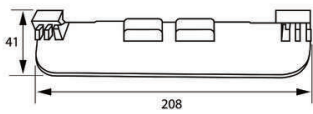
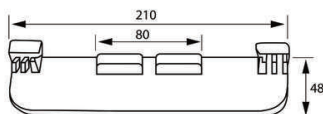
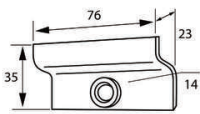
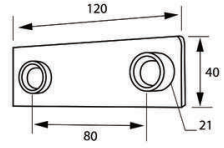
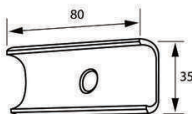
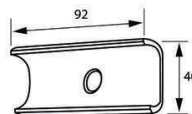
SLIDE ATTACHMENT Universal

<p>SLIDE</p> <p>Plastik</p> <p>Bolzoni</p>  <p>SAW/118024</p>	<p>SLIDE</p> <p>Plastik</p> <p>Bolzoni</p>  <p>SAW/118025</p>
<p>SLIDE</p> <p>Plastik</p> <p>Bolzoni</p>  <p>SAW/118026</p>	<p>SLIDE</p> <p>Plastik</p> <p>Bolzoni</p>  <p>SAW/118027</p>
<p>SLIDE</p> <p>Plastik</p> <p>Bolzoni</p>  <p>SAW/118028</p>	<p>SLIDE</p> <p>Plastik</p> <p>Bolzoni</p>  <p>SAW/118029</p>
<p>SLIDE</p> <p>Plastik</p> <p>Roncari/ Cascade Linde</p>  <p>SAW/118030</p>	<p>SLIDE</p> <p>Plastik</p> <p>Roncari/ Cascade Linde</p>  <p>SAW/118031</p>
<p>SLIDE</p> <p>Plastik</p> <p>Roncari/ Cascade Linde</p>  <p>SAW/118032</p>	<p>BUSHING</p> <p>Plastik</p> <p>Roncari/ Cascade Linde</p>  <p>SAW/118033</p>

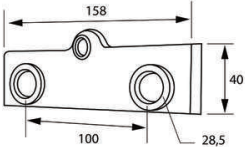



SLIDE ATTACHMENT Universal

<p>SLIDE</p>  <p>Plastik</p> <p>Roncari/ Cascade Linde</p> <p>SAW/118034</p>	<p>SLIDE</p>  <p>Plastik</p> <p>Roncari Cascade Om</p> <p>SAW/118035</p>
<p>SLIDE</p>  <p>Plastik</p> <p>Roncari Cascade Om</p> <p>SAW/118036</p>	<p>SLIDE</p>  <p>Plastik</p> <p>Roncari/ Cascade DSL</p> <p>SAW/118037</p>
<p>SLIDE</p>  <p>Plastik</p> <p>Roncari/ Cascade DSL</p> <p>SAW/118038</p>	<p>SLIDE</p>  <p>Plastik</p> <p>Roncari/ Cascade DSL</p> <p>SAW/118039</p>
<p>SLIDE</p>  <p>Plastik</p> <p>Roncari/ Cascade Linde</p> <p>SAW/118040</p>	<p>SLIDE</p>  <p>Plastik</p> <p>Roncari/ Cascade Linde</p> <p>SAW/118041</p>
<p>SLIDE</p>  <p>Plastik</p> <p>Cascade</p> <p>SAW/118042</p>	<p>SLIDE</p>  <p>Plastik</p> <p>Cascade</p> <p>SAW/118043</p>

SLIDE ATTACHMENT Universal

<p>SLIDE</p> <p>Plastik</p> <p>Cascade</p>  <p>SAW/118044</p>	<p>SLIDE</p> <p>Plastik</p> <p>Cascade</p>  <p>SAW/118045</p>
<p>SLIDE</p> <p>Plastik</p> <p>Cascade Toyota</p>  <p>SAW/118046</p>	<p>SLIDE</p> <p>Plastik</p> <p>Cascade</p>  <p>SAW/118047</p>
<p>SLIDE</p> <p>Plastik</p> <p>Cascade</p>  <p>SAW/118048</p>	<p>SLIDE</p> <p>Plastik</p> <p>Cascade Toyota</p>  <p>SAW/118049</p>
<p>SLIDE</p> <p>Plastik</p> <p>Caroline Jungheinrich Carer</p>  <p>SAW/118050</p>	<p>SLIDE</p> <p>Plastik</p> <p>Caroline Jungheinrich Carer</p>  <p>SAW/118051</p>
<p>SLIDE</p> <p>Plastik</p> <p>Kaup Still Linde</p>  <p>SAW/118052</p>	<p>SLIDE</p> <p>Plastik</p> <p>Kaup Still Linde</p>  <p>SAW/118053</p>

SLIDE ATTACHMENT Universal

<p>SLIDE</p> <p>Plastik</p> <p>Kaup Still Linde</p>  <p>SAW/118054</p>	<p>SLIDE</p> <p>Plastik</p> <p>Kaup Still Linde</p>  <p>SAW/118055</p>
<p>SLIDE</p> <p>Plastik</p> <p>Bolzoni Cesab Linde Yale</p>  <p>SAW/118056</p>	<p>SLIDE</p> <p>FEM 3</p> <p>CASCADE TOYOTA</p>  <p>SAW/118924</p>
<p>SLIDE</p> <p>FEM 3</p> <p>CASCADE TOYOTA</p>  <p>SAW/119927</p>	<p>SLIDE</p> <p>FEM2</p> <p>PLASTIK CASCADE</p>  <p>SAW/119928</p>
<p>SLIDE</p> <p>DAEWOO, DOOSAN</p>  <p>SAW/120342</p>	<p>PIN</p> <p>Φ- 20 mm L-75 mm M-10X1,25</p>  <p>SAW/119630</p>
<p>PIN</p> <p>Φ-20 mm L-75 mm M-12X1,5</p>  <p>SAW/119631</p>	<p>PIN</p> <p>Φ-20 mm L-75 mm M-14X1,5</p>  <p>SAW/119632</p>

<p>BEARING KIT</p>  <p>Zestaw ślizgów przesuwu FEM 2 CASCADE 55F</p> <p>SAW/121349</p>	<p>BEARING KIT</p>  <p>Zestaw ślizgów przesuwu FEM 2 CASCADE 30D / 50D</p> <p>SAW/121350</p>
<p>BEARING KIT</p>  <p>Zestaw ślizgów przesuwu FEM 2 CASCADE 40E / 55E</p> <p>SAW/121351</p>	<p>BEARING KIT</p>  <p>Zestaw ślizgów przesuwu FEM 3 CASCADE 60D / 100D</p> <p>SAW/121352</p>
<p>BEARING KIT</p>  <p>Zestaw ślizgów przesuwu FEM 3 CASCADE 60E / 100E</p> <p>SAW/121353</p>	<p>BEARING KIT</p>  <p>Zestaw ślizgów przesuwu FEM 2 BOLZONI HN25-HN4</p> <p>SAW/121354</p>
<p>BEARING KIT</p>  <p>Zestaw ślizgów przesuwu FEM 3 BOLZONI HN35-HN5</p> <p>SAW/121355</p>	<p>BEARING KIT</p>  <p>Zestaw ślizgów przesuwu FEM 2 BOLZONI SL4</p> <p>SAW/121356</p>
<p>BEARING KIT</p>  <p>Zestaw ślizgów przesuwu FEM 3 BOLZONI SL5 / SL6</p> <p>SAW/121357</p>	<p>BEARING KIT</p>  <p>Zestaw ślizgów przesuwu FEM 2 ATIB</p> <p>SAW/121358</p>

SLIDE ATTACHMENT Universal

<p>BEARING KIT</p>  <p>Zestaw łożysk przesuwu FEM 3 ATIB</p> <p>SAW/121359</p>	<p>BEARING KIT</p>  <p>Zestaw łożysk przesuwu FEM 2 BOLZONI SU4</p> <p>SAW/121360</p>
<p>BEARING KIT</p>  <p>Zestaw łożysk przesuwu FEM 2 BOLZONI SU5 / SU6</p> <p>SAW/121361</p>	<p>BEARING KIT</p>  <p>Zestaw łożysk przesuwu FEM 3 CASCADE 70C</p> <p>SAW/121362</p>
<p>BEARING KIT</p>  <p>Zestaw łożysk przesuwu KAUP 1-2T 151 P4 // P4 N // P4 ND // P4-C</p> <p>SAW/121363</p>	